

HEX Albedo 7000

9 high-quality solar panels	Bi facial 182mm mono perc cells 1.73m ² 16kg 3.2mm low iron matt tempered glass max 4.446Wp*
Battery storage	LiFePo4 Optional
Switch time inverter	<10min
Sun and Albedo tracing system	Self-learning
Azimuth range	240°
Angle of inclination	0° - 55°
Solar energy charge	~20kWh/per day
Charger	Class 2
Working temperature	-20 °C~60 °C
Total weight	600Kg
Wind resistance	Class 2 – DIN EN12424
Protection level inverter	IP21/IP65
Service and operation tracing system	GPRS/GSM 4G

Panel specifications

Rated peak power	Per panel side (260 Wp) Bi-facial (520Wp) Albedo effect: (30%) 3.041Wp (60%) 3.344Wp (90%) 4.446Wp*		
Open circuit voltage	49,1V	Open circuit current	6.15A
Voltage Vmp	42,3V	Current Imp	6.16A

Inverter - storage inverter

Nominal DC voltage/maximum charger current	48V/80A
Nominal voltage AC	230V
Power	3.000W
PV charger/max. efficiency	95%

Technical specs are indicative and subject to change without notice. STC 1000W/m², AM 1.5 and cell temp 25C > 7000kWh (+/- 10 years sun hours CBS @ The Bilt-Netherlands) No energy warranty could be offered.

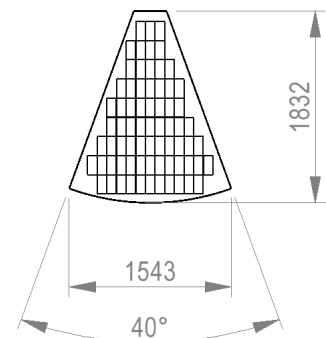
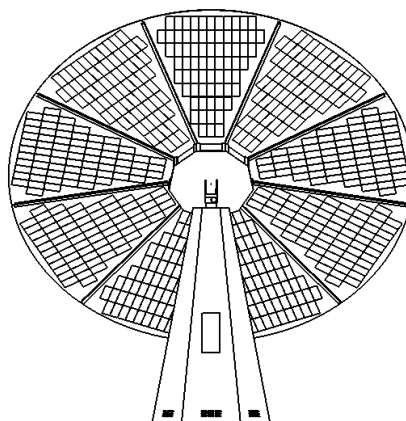
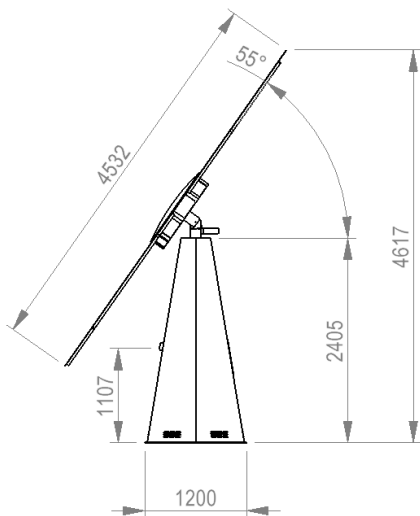


Figure 1. Dimension and diameter HEX Bi-facial 7000

Figure 2. Dimension of solar panel