



IX 1200 On- Off Grid

# IX 1200 On- Off Grid

6 high-quality solar panels	Monocrystalline silicon solar panel with carbon fibre coating
Battery storage	Optional
Switch time inverter	<10min
Sun tracing system	Self-learning
Azimuth range	240°
Angle of incline	0° - 55°
Solar energy charge	<10kWh/per day
Charger	Class 2
Working temperature	-20 °C-60 °C
Total weight	350Kg
Wind resistance	40m/s (wind force 13 bft)
Protection level inverter	IP21/IP65
Service and operation tracing system	GPRS/GSM 4G

## Panel specifications

Rated peak power	Per panel 100Wp		
Open circuit voltage	43.2V	Open circuit current	2.9A
Voltage Vmp	36V	Current Imp	2.8A

## Inverter - storage inverter

Rated DC Voltage/maximum charger current	48V/55A
Rated voltage AC	230V
Power	2.000W
PV Charger/max. effectivity	95%

Please note: details are subjected to change without note

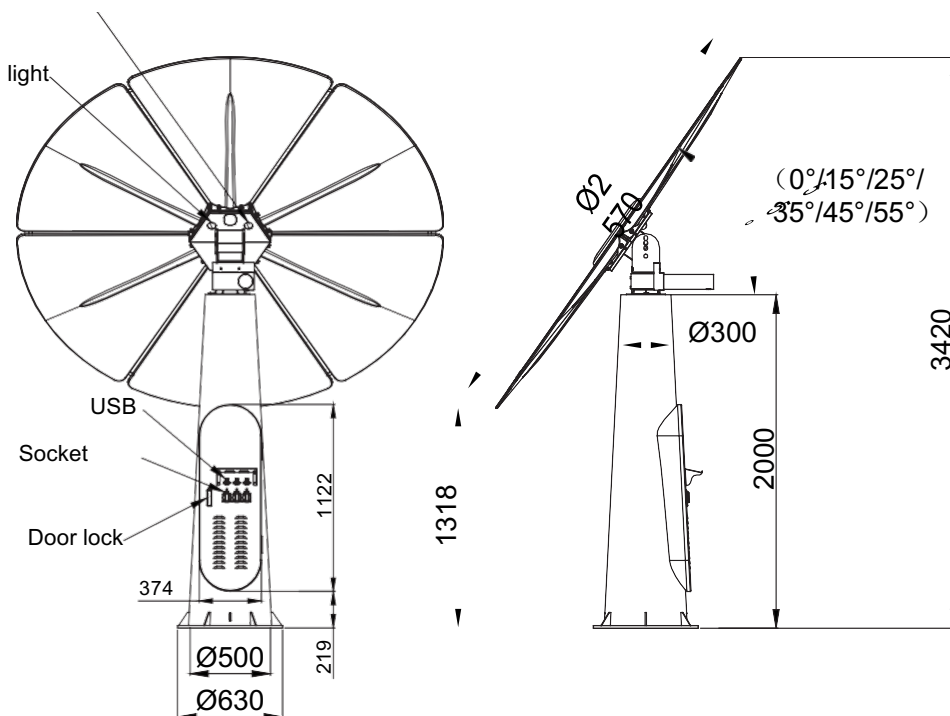


Figure 1. Dimension and diameter IX1200

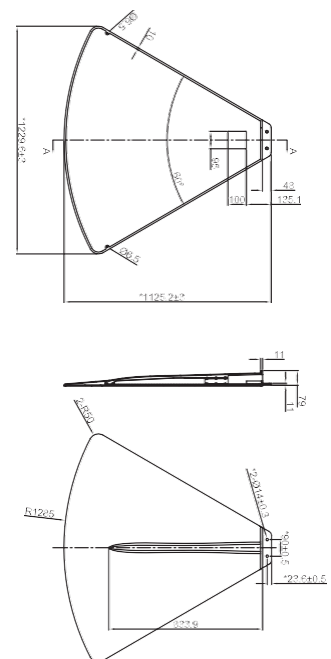


Figure 2. Dimension solar panel